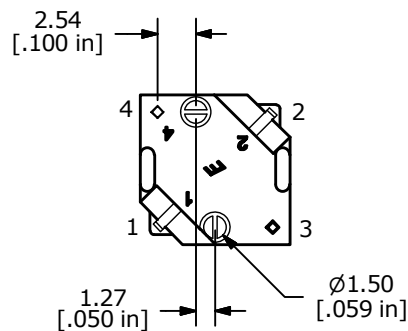


NOTES:

1. ALL DIMENSIONS IN MM [INCH]
2. GENERAL TOLERANCE: X.X = ±0.4  
X.XX = ±0.25
3. RATING: 20VDC @ 1mA or 5VDC @ 5mA
4. CONTACT RESISTANCE: 200Ω MAX. @ 5VDC, 1mA
5. INSULATION RESISTANCE: 100MΩ MIN. @ 100VDC.
- ▲ 6. OPERATING FORCE: 125 ± 35gf
7. TRAVEL: 1.3 ± 0.3 mm
8. OPERATING TEMPERATURE: -40°C to 85°C
9. OPERATING LIFE: 300,000 CYCLES
- ▲ 10. LED: WHITE
11. ▲ DENOTES CRITICAL PARAMETERS
12. 2011/65/EU (ROHS) COMPLIANT



▲ LED SPECS	UNITS	WHITE	
FORWARD CURRENT	mA	20	
FORWARD VOLTAGE @ 20mA	VDC	2.8 MIN.	4.0 MAX.
LUMINOUS INTENSITY @ 20mA	mcd	400 TYP.	



A	22990	New Release	9/13/17	MW
REV	PCR NO	DESCRIPTION	DATE	BY

TITLE LP2S2WHTWHT-N				
SCALE	DATE	DR	DWG	REV
2:1	9/12/2017	MW	B250014	A

THE INFORMATION CONTAINED IN THIS DOCUMENT IS PROPRIETARY TO E-SWITCH AND IS NOT TO BE COPIED OR TRANSFERRED